

**M5
+
M5STF**



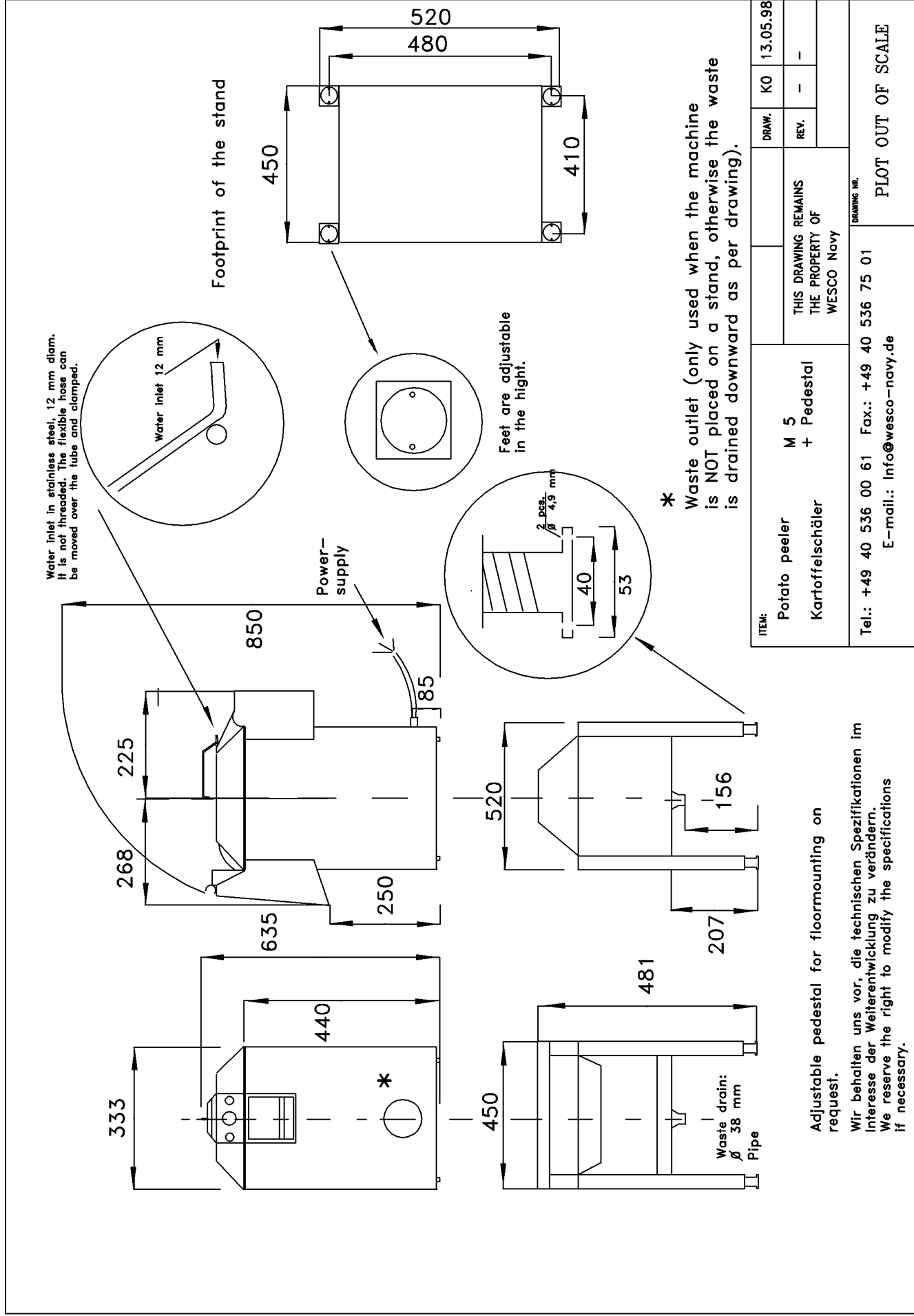
Quality at sea

Manual / Handbuch

Spare parts list / Ersatzteilliste



WESCO Navy • Equipment Imp.-Exp. GmbH • Zitterpappelweg 9
D - 22391 Hamburg • Tel.: + 49 40 60009468-0 • Fax: + 49 40 536 75 01
E-Mail: info@wesco-navy.com • www.wesco-navy.com



ITEM:	Potato peeler Kartoffelschäler	M 5 + Pedestal	DRAW.:	KO	13.05.98
	THIS DRAWING REMAINS THE PROPERTY OF WESCO Navy		REV.:	-	-
Tel.: +49 40 536 00 61 Fax.: +49 40 536 75 01 E-mail.: info@wesco-navy.de			DRAWING NR.		
Adjustable pedestal for floor mounting on request.			PLOT OUT OF SCALE		

Wir behalten uns vor, die technischen Spezifikationen im Interesse der Weiterentwicklung zu verändern.
We reserve the right to modify the specifications if necessary.

INDEX

GUARANTEE	1
ELECTRICITY SUPPLY CONNECTION	1
WATER SUPPLY	2
COMMISSIONING	2
MAINTENANCE	2
OPTIONAL PLATES	2
ORDERING SPARE PARTS	3
MATERIAL CONTENT	3
WIRING DIAGRAM 1 PHASE	4
WIRING DIAGRAM 3 PHASE	5
EXPLODED VIEW	6
External Parts.....	6
Internal Parts.....	7
Control Panel and Electrical Panel.....	8
PARTS LIST	9

ELECTRICITY SUPPLY CONNECTION

Wiring Diagrams are shown on Pages 4 & 5.

All electrical work must be carried out by a qualified electrician and in accordance with the IEE Codes of Practice. The rating plate attached to the machine states the supply characteristics for the machine. The peeler should be connected to a 30A isolator providing at least 3mm separation in all poles. The isolator should be fused at the ratings shown below:

Supply	MF5	MF10	MF15
230V – 1 – 50	10A	15A	15A
400V – 3 – 50	-	4A	4A
220V – 3 – 50	-	15A	15A
208V – 3 – 60	-	15A	15A

The supply to the machine must also be protected by a 30mA RCD.

WARNING: This machine must be earthed

The wires in the mains lead supply are coloured in accordance with the following code.

Wire Colour	1 phase	3 phase
Green and Yellow	Earth	Earth
Brown	Live	Phase 1
Blue	Neutral	Phase 2
Black	-	Phase 3

The 3 phase machines do not have a neutral wire, if the supply has a neutral wire ensure that it is isolated and only wire the unit to the 3 phases and earth.

An equipotential bonding terminal is provided at the back of the unit near the cable outlet for external earth bonding. Provision of an earth bond does not remove the requirement for an earth in the electrical supply.

WATER SUPPLY

PLEASE NOTE: these machines are fitted with a Type A air-break to prevent back syphonage into the mains supply, but some local authorities may nevertheless require connection to a storage cistern rather than direct to the mains supply. This applies to UK installations, overseas customers should install the machine in accordance with local regulations.

IF IN DOUBT, CHECK WITH YOUR LOCAL AUTHORITY

COMMISSIONING

After making or changing the electrical connection, switch on the machine, and ensure that the unit will only run with the lid and the chute door closed. Then check that the direction of rotation of the shaft is CLOCKWISE when viewed from above.

The direction of rotation of single phase units is set at the factory, if it is not rotating in the correct direction contact . To change the direction of rotation of three phase units, switch off the machine, isolate the supply and interchange any two phase wires.

MAINTENANCE

Other than regular cleaning the M-Range peelers require no maintenance by the end user. It is recommended that the unit is serviced by an approved engineer at least once a year.

Details of Service Contracts are available on application.

OPTIONAL PLATES

The MF-range is supplied with a standard peeling plate. There is a range of optional plates that can be fitted to the peeler. These are available from using the following part numbers:

Plate	MF5	MF10	MF15
Standard Peeling Plate	S59/163	S59/164	S59/164
Washing Plate	S59/172	S59/173	S59/173
Mussel Washing Plate	S59/174	S59/175	S59/175
Knife Peeling Plate	S59/167	S59/168	S59/168
Onion Peeling plate	S59/165	S59/166	S59/166
Salad Spinning Basket	S59/169	S59/170	S59/171

ORDERING SPARE PARTS

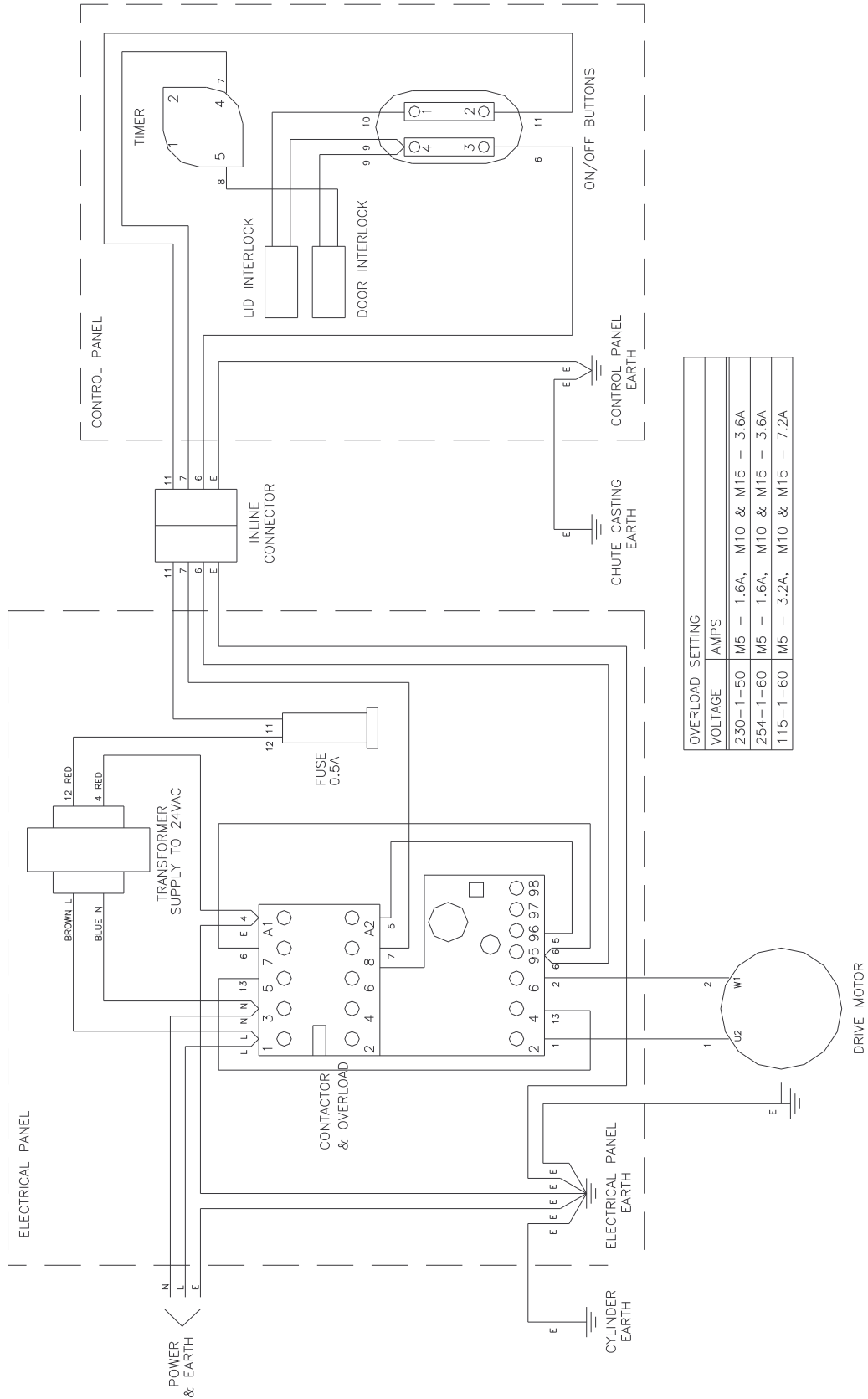
In the event that spare parts or accessories need to be ordered, please always quote the SERIES AND SERIAL NUMBER of the machine. This is to be found on the rating plate located near the supply cable.

MATERIAL CONTENT

The MF-Range peelers contain the following materials

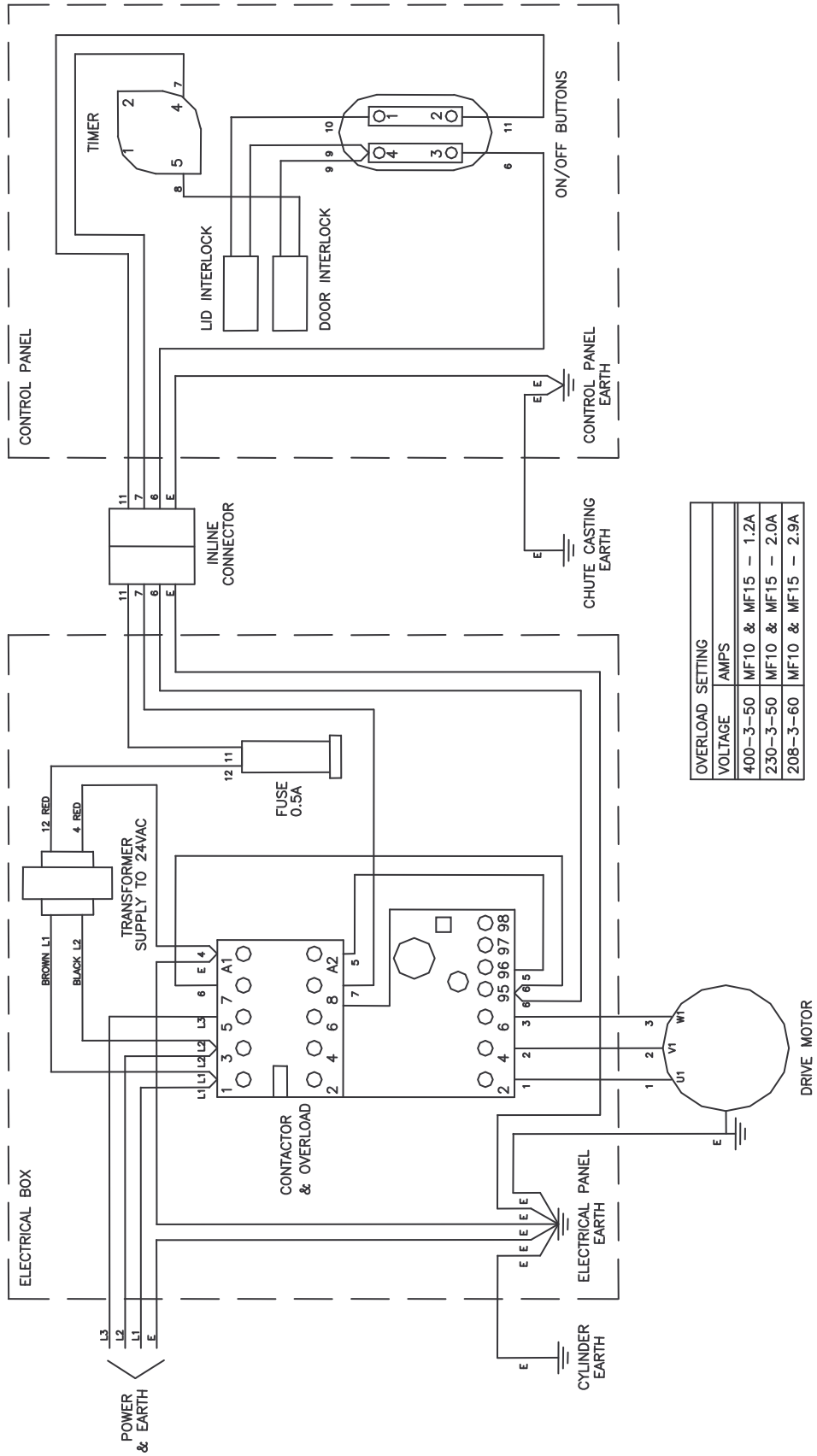
Metals	Stainless steel, Mild steel (inc plated), Aluminium and copper.
Plastics and rubber	Polycarbonate, Nylon, Neoprene rubber.
Other	Aluminium oxide, electrical components.

WIRING DIAGRAM 1 PHASE



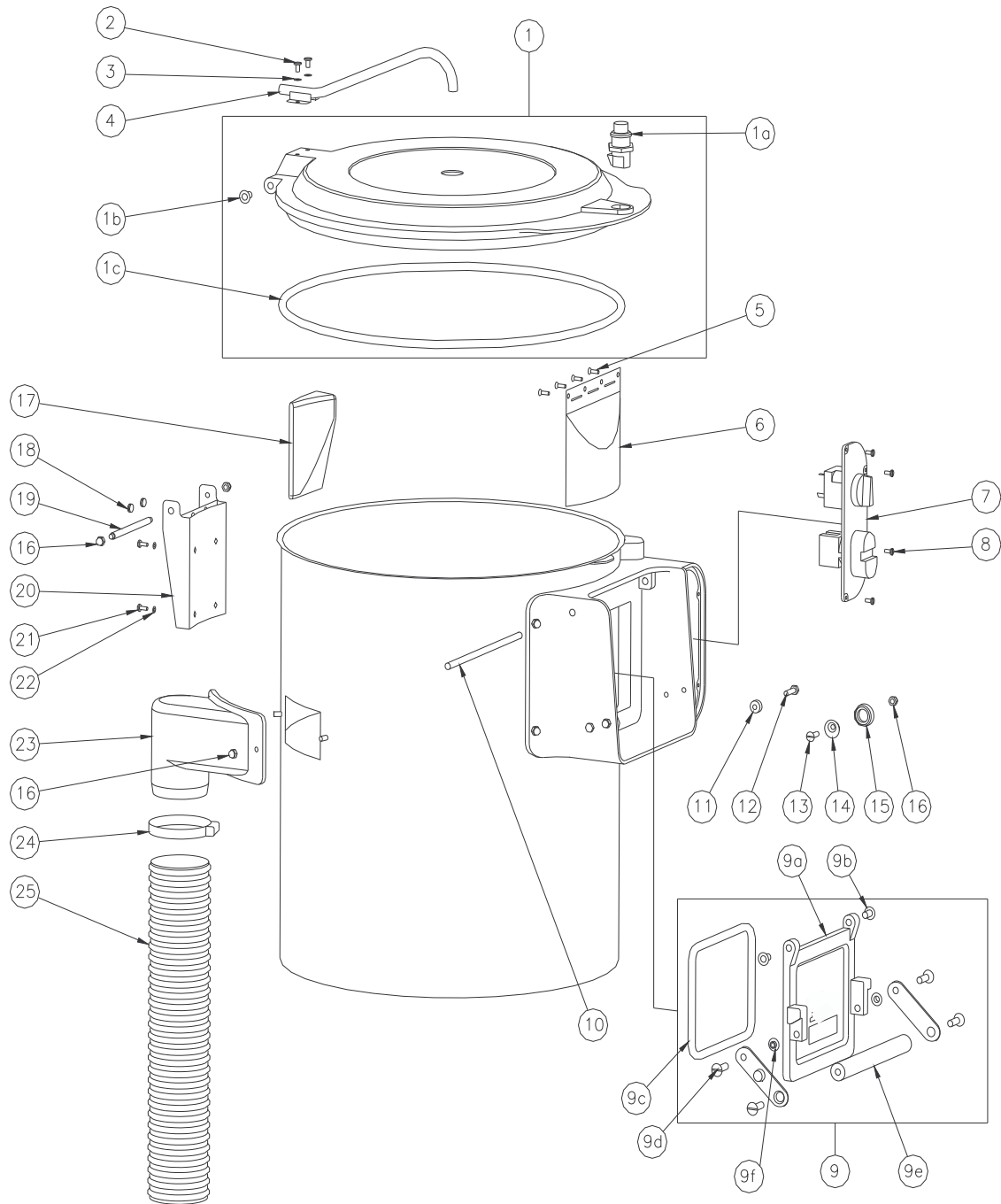
OVERLOAD SETTING	VOLTAGE	AMPS
M5 - 1.6A, M10 & M15 - 3.6A	230-1-50	
M5 - 1.6A, M10 & M15 - 3.6A	254-1-60	
M5 - 3.2A, M10 & M15 - 7.2A	115-1-60	

WIRING DIAGRAM 3 PHASE

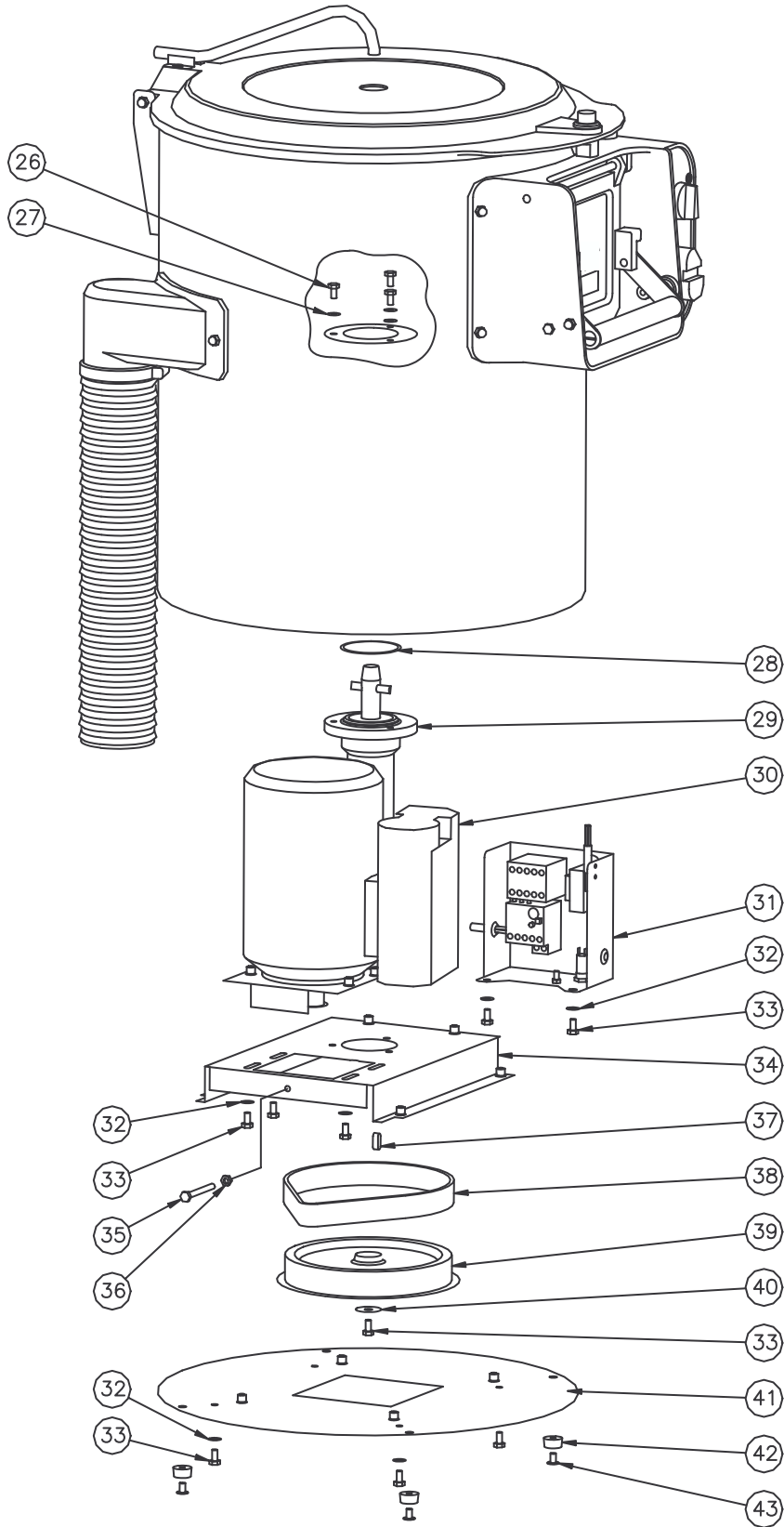


EXPLODED VIEW

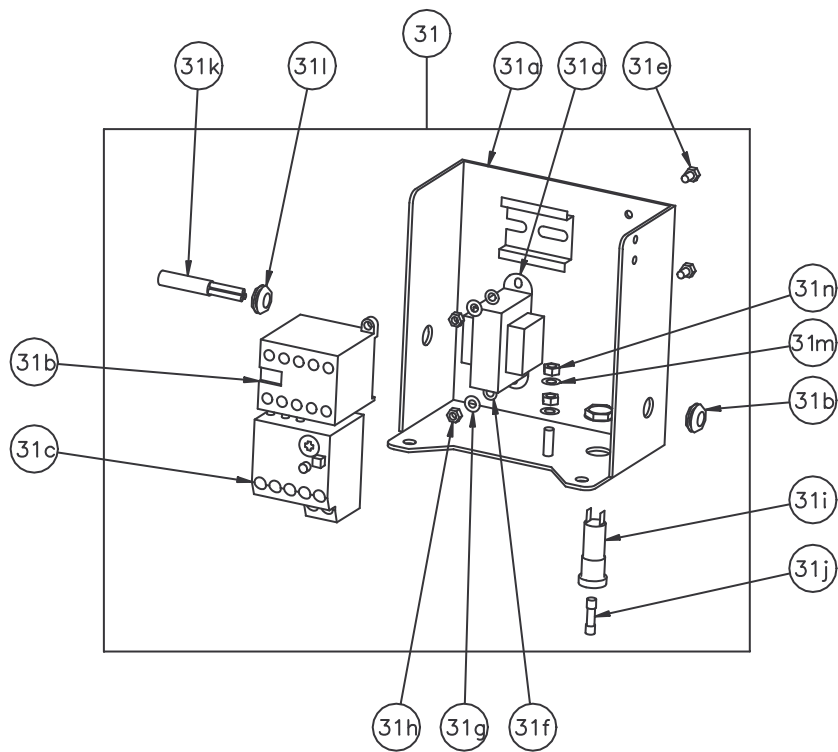
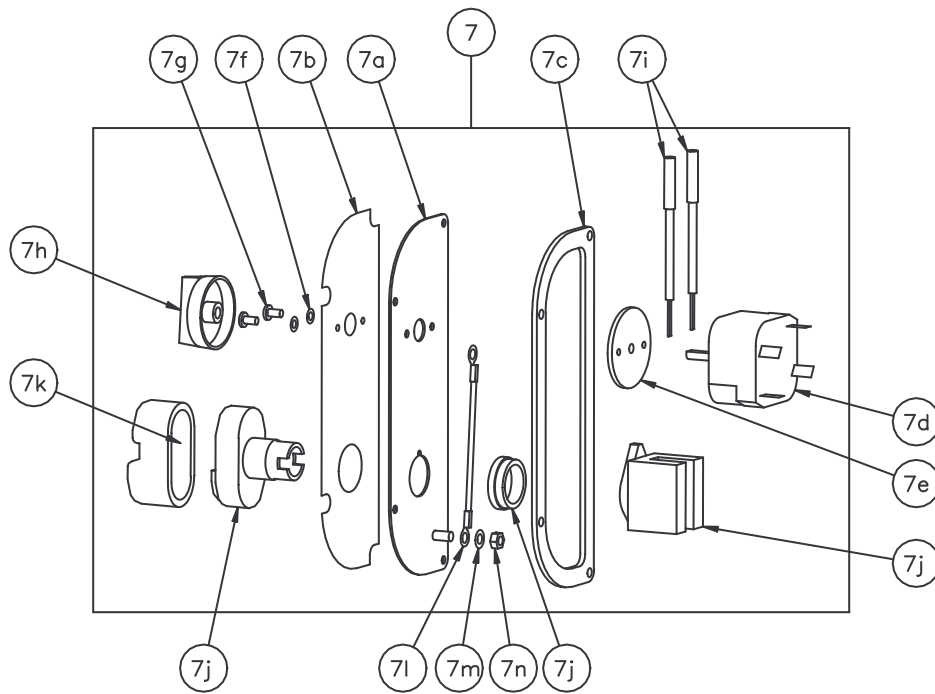
External Parts



Internal Parts



Control Panel and Electrical Panel



PARTS LIST

Item	Part No	Description	Item	Part No	Description
1	S59/133	MF5 Lid Assembly	23	C59/024 M1 Z	MF5 Waste Outlet
	S59/134	MF10/MF15 Lid Assembly		C59/016 M1 Z	MF10/MF15 Waste Outlet
1a	A29/002	Slam Catch	24	J06/068	Hose clip
1b	A00/057	Flange Bearing	25	J06/045 M2	Waste pipe
1c	A13/078 M3	MF5 Lid seal (1.1m)	26	D19/130	Screw M6x12 Hex Flange
	A13/078 M4	MF10/MF15 Lid seal (1.5m)	27	D25/020	Washer M6 Nylon
2	D21/044	Screw M5x12 Pan SS	28	A02/068	O – Ring
3	D25/004	Washer M5 Shakeproof SS	29	S59/120	Bearing Housing Assy
4	E59/136	MF5 Water pipe	30	S59/136	MF5 1ph Motor Assembly
	E59/137	MF10/MF15 Water Pipe		S59/137	MF10/MF15 1ph Motor Assy
5	M59/002	Inner door		S59/139	MF10/MF15 3ph Motor Assy
6	D18/098	Screw M4x12 CSK SS	31	S59/135	MF5 1ph Electrical Box
7	S59/140	Control Panel Assembly		S59/141	MF10/MF15 1ph Electrical Box
7a	E59/116	Control Panel			
7b	A08/535	Label Control Panel		S59/143	MF10/MF15 3ph Electrical Box
7c	A11/259	Gasket Control Panel			
7d	G34A	Timer	31a	E59/138	Electrical panel
7e	A11/219	Timer Gasket	31b	G30/343	Contactora 24V AC
7f	D25/033	Washer M4 Shakeproof SS	31c	G30/299	MF5 1ph Overload
7g	D21/097	Screw M4x8 Pan SS		G30/319	MF5 3ph Overload
7h	G45/066	Timer Knob		G30/298	MF10/MF15 1ph Overload
7i	G45/069	Magnetic switch		G30/319	MF10/MF15 3ph Overload
7j	G45/088	On / Off Button	31d	G60/333	1ph Transformer
7k	G45/089	Button Cover		G60/334	3ph Transformer
7l	G60/310	Earth Wire	31e	D19/110	Screw M4x10 Hex SS
7m	D25/004	Washer M5 Shakeproof SS	31f	D25/015	Washer M4 Plain SS
7n	D20/038	Nut M5 SS	31g	D25/033	Washer M4 S/proof SS
8	D21/037	Screw M4x10 Pan SS	31h	D20/011	Nut M4 SS
9	S59/132	Chute Door Assembly	31i	G35/012	Fuse Holder
9a	C59/019 M1 Z	Chute Door	31j	G34/004	Fuse 0.5A 5 x 20
9b	A00/057	Flange Bearing	31k	G60/330	1 ph Mains Cable
9c	A13/078 M2	Door Seal (0.6m)		G60/331	3 ph Mains Cable
9d	D21/056	M8 X 16 Pan Head crew		G80/029	Cable Gland
9e	S59/253	Door Handle Assembly		A10/224	Gland Backnut
9f	A00/058	Shoulder Washer	31l	G80/028	Dia 16 snap bush
10	L59/023	Door Hinge Pin	31m	D25/004	Washer M5 S/proof SS
11	L02/014	Barrel Nut	31n	D20/038	Nut M5 SS
12	D19/039	Screw M6 x 16 Hex SS (for LH Barrel Nut)	32	D19/039	Screw M6 x 16 Hex SS
	D19/040	Screw M6 x 20 Hex SS (for RH Barrel Nut)	33	D25/005	Washer M6 S/proof SS
			34	E59/106	MF5 Motor Support Plate
				E59/107	MF10/MF15 Motor Support Plate
13	D18/051	Screw M6 x 20 CSK SS	35	D19/107	Screw M6 x 40 Hex SS
14	L21/048	Eccentric	36	D20/013	Full Nut M6 SS
15	M79	Door Roller	37	D27/031	Drive Key
16	D20/031	Dome Head Nut	38	A05/042	MF5 Drive Belt
17	C59/025 M1 Z	MF5 Deflector		A05/043	MF10 / MF15 Drive Belt
	C59/017 M1 Z	MF10 Deflector			
	C59/023 M1 Z	MF15 Deflector	39	A06/091	MF5 Driven Pulley
18	G80/030	Grommet		A06/090	MF10/MF15 Driven Pulley
19	L59/022	Hinge pin	40	D25/019	Penny Washer M6 SS
20	E59/140	MF5 Hinge plate	41	E59/112	MF5 Base Plate
	E59/139	MF10/MF15 Hinge plate		E59/113	MF10/MF15 Base Plate
21	D19/037	Screw M6x10 Hex SS	42	A13/048	Foot
22	D25/052	Washer M6 Plain	43	D21/050	Screw M6 X 12L Pan SS

Note

In the parts list 1ph refers to 230V 50Hz, and 3ph to 400V 50Hz. For electrical parts to other voltages please contact our spares department.