



Quality at sea

GN3613

Manual / Handbuch

Spare parts list / Ersatzteilliste



WESCO Navy • Equipment Imp.-Exp. GmbH • Zitterpappelweg 9
D - 22391 Hamburg • Tel.: + 49 40 60009468-0 • Fax: + 49 40 536 75 01
E-Mail: info@wesco-navy.com • www.wesco-navy.com

Appliance at a glance

Contents

1	Appliance at a glance	2
1.1	Description of appliance and equipment.....	2
1.2	Range of appliance use.....	2
1.3	Conformity.....	3
1.4	External dimensions of the appliance.....	3
1.5	Saving energy.....	3
1.6	Insulation plate.....	3
2	General safety information	3
3	Controls and displays	4
3.1	Operating and control elements.....	4
3.2	Temperature display.....	4
4	Putting into operation	4
4.1	Transporting the appliance.....	4
4.2	Installing the appliance.....	4
4.3	Changing over the door hinges.....	5
4.4	Insertion into a row of kitchen units.....	6
4.5	Disposing of packaging.....	6
4.6	Connecting the appliance.....	6
4.7	Switching on the appliance.....	6
5	Control	6
5.1	Door alarm.....	6
5.2	Temperature alarm.....	7
5.3	Freezing food.....	7
5.4	Thawing food.....	7
5.5	Setting the temperature.....	7
5.6	SuperFrost.....	7
5.7	Drawers.....	7
5.8	Shelves.....	8
5.9	VarioSpace.....	8
5.10	Information system.....	8
5.11	Cold storage accumulators.....	8
6	Maintenance	8
6.1	Defrosting with NoFrost.....	8
6.2	Cleaning the appliance.....	8
6.3	Changing the interior light.....	8
6.4	Customer service.....	9
7	Malfunction	9
8	Decommissioning	9
8.1	Switching off the appliance.....	9
8.2	Taking the appliance out of service.....	9
9	Disposing of the appliance	10

The manufacturer works constantly on the further development of all the types and models. Therefore please understand that we have to reserve the right to make design, equipment and technical modifications.

To get to know all the benefits of your new appliance, please read the information contained in these instructions carefully.

The instructions apply to several models. Differences may occur. Text relating only to specific appliances is marked with an asterisk (*).

Instructions for action are marked with a ►, the results of action are marked with a ▢.

1 Appliance at a glance

1.1 Description of appliance and equipment

Note

► Shelves, drawers and baskets are arranged for optimum energy efficiency on delivery.

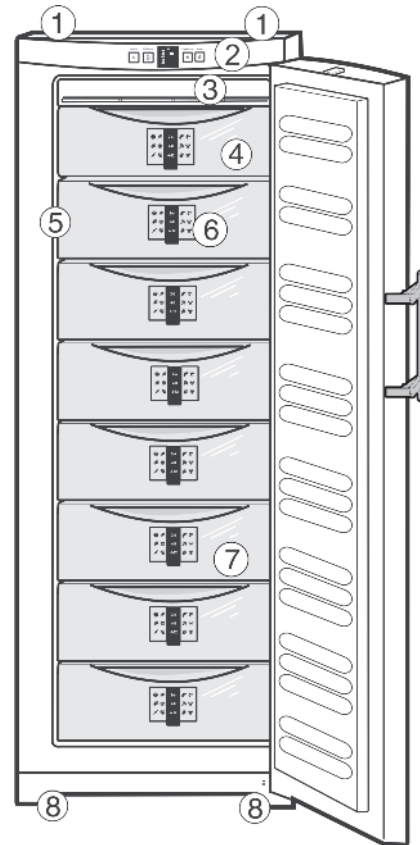


Fig. 1

- | | |
|------------------------------------|--|
| (1) Transport grips at back | (5) Type plate |
| (2) Operating and control elements | (6) Drawers with information-system |
| (3) NoFrost | (7) VarioSpace |
| (4) Cold storage accumulator | (8) Adjustable feet, transport grips at front, transport castors at back |

1.2 Range of appliance use

The appliance is suitable solely for cooling food in a domestic environment or similar. This includes use in, for example

- in staff kitchenettes, bed and breakfast establishments,
- by guests in country homes, hotels, motels and other forms of accommodation,
- in catering and similar services in the wholesale trade

Use the appliance solely as is customary within a domestic environment. All other types of use are inadmissible. The appliance is not suitable for storing and cooling medicines, blood plasma, laboratory preparations or similar substances and products covered by the 2007/47/EC Medical Devices Directive. Misuse of the appliance can result in the stored products suffering harm or perishing. Furthermore, the appliance is not suitable for operation in potentially explosive atmospheres.

The appliance is set to operate within specific ambient temperature limits according to its climate rating. The correct climate rating for your appliance is indicated on the type plate.

Note

► Compliance with the ambient temperatures indicated is required, otherwise the cooling performance is reduced.

Climate rating	for ambient temperatures
SN, N	up to 32 °C
ST	up to 38 °C
T	up to 43 °C

The appliance will function properly in ambient temperatures of down to 5 °C.

1.3 Conformity

The refrigerant circuit has been tested for leaks. The appliance complies with current safety regulations and EC directives 2006/95/EC and 2004/108/EC.

1.4 External dimensions of the appliance

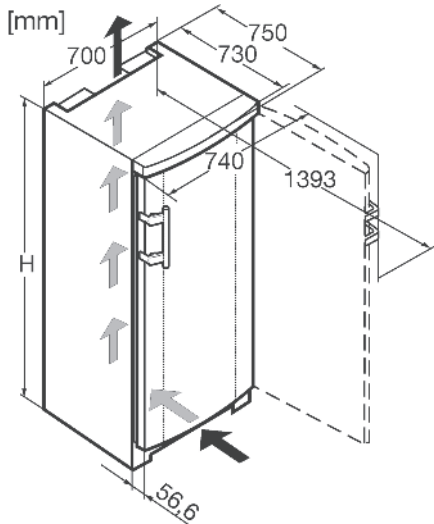


Fig. 2

Model	Height of appliance H (mm)
GN 31..	1555
GN 36..	1751
GN 41..	1947

1.5 Saving energy

- Always ensure good ventilation. Do not cover ventilation openings or grille.
- Do not place appliance in areas of direct sunlight or next to a stove, heater or similar object.
- The energy consumption depends on the installation conditions, e.g. the ambient temperature (see 1.2) .
- Keep the time the appliance is open to a minimum.
- The lower the temperature setting, the higher the power consumption.
- Store food logically. (see Appliance at a glance).
- Ensure that all food is well packed and covered for storage. This will prevent frost from forming.
- First cool warm food to room temperature before storing it .

Accumulated dust increases the energy consumption:

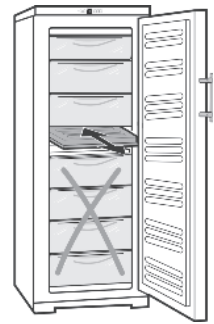
- Once a year, dust the refrigerating unit together with the metal grille of the heat exchanger at the back of the appliance.



1.6 Insulation plate

The insulation plate for part-load operation is available as an accessory from specialist dealers.

If you do not store much food in the appliance, you can reduce the power consumption by as much as 50 % by using the insulation plate. Up to 5 drawers can be de-energised, depending on model. At least 3 drawers are necessary for cooling. More information accompanies the insulation plate.



GB

2 General safety information

Danger for the user:

- This appliance is not designed for persons (including children) with physical, sensory or mental impairment or persons not having sufficient experience and knowledge, unless they are instructed in the use of the appliance and are initially supervised by a person responsible for their safety. Keep children under supervision to ensure they do not play with the appliance.
- In case of a fault, pull out the mains plug (not by pulling the connecting cable) or switch off the fuse.
- Have any repairs to or intervention in the appliance, and any change of the mains power cable, carried out by the customer service only or by other specialised personnel trained for the purpose.
- When disconnecting the appliance from the supply, always take hold of the plug. Do not pull the cable.
- Install and connect the appliance only as instructed.
- Please keep these instructions in a safe place and pass them on to any subsequent owners.
- Special-purpose lamps (incandescent lamps, LEDs, fluorescent tubes) in the appliance serve to illuminate the appliance interior and are not suited for room illumination.

Fire hazard:

- The refrigerant R 600a is environmentally friendly but flammable. Escaping refrigerant may ignite.
 - Do not damage the refrigerant circuit pipes.
 - Do not allow naked flames or ignition sources to enter the appliance.
 - Do not use any electrical appliances in the interior (e.g. steam cleaners, heaters, ice cream maker etc.).
 - If refrigerant escapes: eliminate naked flames or sources of ignition from the vicinity. Pull out the power plug. Ventilate the area well. Notify customer service.
- Do not store explosives or sprays using combustible propellants such as butane, propane, pentane, etc. in the appliance. Respective spray cans can be identified by reference to the contents printed on the can or by a flame symbol. Gases possibly escaping may ignite due to electrical components.
- Keep burning candles, lamps and other items with naked flames away from the appliance so that they do not set the appliance on fire.
- Only store high-percentage alcohol in tightly sealed, upright containers. Alcohol possibly escaping may ignite due to electrical components.

Danger of tipping and falling:

- Do not misuse the plinth, drawers, doors etc. as a step or for support. This applies particularly to children.

Danger of food poisoning:

- Do not consume food which has been stored too long.




Danger of frostbite, numbness and pain:

- Avoid lasting skin contact with cold surfaces or refrigerated/frozen food or take protective steps, e.g. wear gloves. Do

Controls and displays

not consume ice cream, water ice or ice cubes immediately and do not consume them too cold.

Please observe the specific information in the other sections:

	DANGER	identifies a situation involving direct danger which, if not obviated, may result in death or severe bodily injury.
	WARNING	identifies a dangerous situation which, if not obviated, may result in death or severe bodily injury.
	CAUTION	identifies a dangerous situation which, if not obviated, may result in minor or medium bodily injury.
	NOTICE	identifies a dangerous situation which, if not obviated, may result in damage to property.
	Note	identifies useful information and tips.

3 Controls and displays

3.1 Operating and control elements

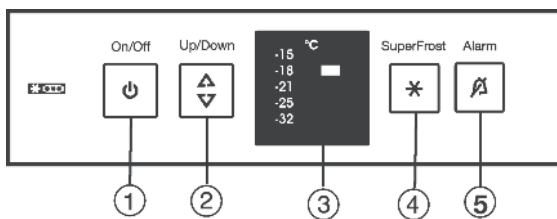


Fig. 3

- (1) On/Off button
- (2) Setting button
- (3) Temperature display
- (4) SuperFrost button
- (5) Alarm button

3.2 Temperature display

The following are displayed in normal operation:

- the set freezing temperature

The temperature display flashes:

- the temperature setting is being changed
- after switch-on the temperature is not yet cold enough
- the temperature has risen several degrees

4 Putting into operation

4.1 Transporting the appliance



CAUTION

Risk of injury and danger of damage as a result of incorrect transport!

- ▶ Transport the appliance in a packed condition.
- ▶ Transport the appliance upright.
- ▶ Do not transport the appliance without assistance.

4.2 Installing the appliance

In the event that the appliance is damaged, contact the supplier immediately before connecting to the mains.

The floor at the site must be flat and level.

Do not install the appliance in a location where it is exposed to direct radiation of the sun, next to a cooker, heater and similar.

The ideal installation site is a dry, well ventilated room.

Always install the appliance with the back directly against the wall.

Do not install the appliance without assistance.

Standard EN 378 specifies that the room in which you install your appliance must have a volume of 1 m² per 8 g of R 600a refrigerant used in the appliance. If the room in which the appliance is installed is too small, a flammable gas-air mixture may form in the event of a leakage in the refrigeration circuit. The quantity of refrigerant used in your appliance is indicated on the type plate on the inside of the appliance.

The appliance may be moved only when it is empty.



WARNING

Fire hazard due to dampness!

If live parts or the mains lead become damp this may cause short circuits.

- ▶ The appliance is designed for use in enclosed areas. Do not operate the appliance outdoors or in areas where it is exposed to splash water or damp conditions.



WARNING

Fire hazard due to refrigerant!

The refrigerant R 600a is environmentally friendly but flammable. Escaping refrigerant may ignite.

- ▶ Do not damage the piping of the refrigeration circuit.



WARNING

Fire hazard and danger of damage!

▶ Do not place appliances emitting heat e.g. microwaves, toasters etc. on the appliance!



WARNING

Blocked ventilation openings pose a risk of fire and damage!

▶ Always keep the ventilation openings clear. Always ensure that the appliance is properly ventilated!

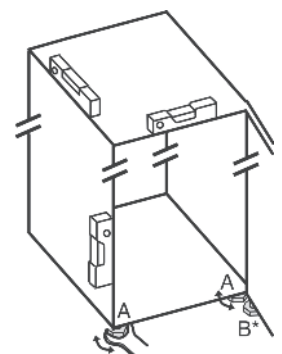
- ▶ Detach the connecting cable from the rear of the appliance, removing the cable holder at the same time because otherwise there will be vibratory noise!
- ▶ Remove the protective film from the decorative trims.
- ▶ Remove all transit supports.
- ▶ Dispose of packaging material (see 4.5) .

NOTICE

Risk of damage due to condensate!

▶ Do not install the appliance directly alongside a further refrigerator/freezer.

- ▶ Align the appliance so that it stands firmly and on a level by applying the accompanying spanner to the adjustable-height feet (A) and using a spirit level.



Note

- ▶ Clean the appliance (see 6.2) .

If the appliance is installed in a very damp environment, condensate may form on the outside of the appliance.

- ▶ Always see to good ventilation at the installation site.

4.3 Changing over the door hinges

You can change over the door hinges if necessary.

Ensure that the following tools are to hand:

- Torx 25
- Torx 15
- Screwdriver
- Accompanying open-end spanner
- Second person for fitting work, if needed

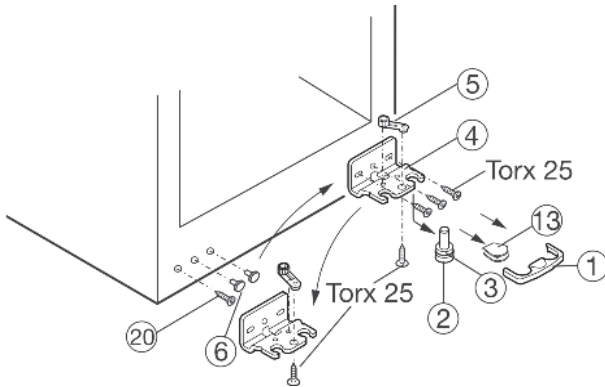


Fig. 4

- ▶ Draw safety lock Fig. 4 (1) forwards for removal.
- ▶ Remove the cover Fig. 4 (13).*
- ▶ If necessary, tip the appliance back a little with the assistance of a second person for removal of the bearing pin.
- ▶ Pull out the bearing pin Fig. 4 (2) downwards and forwards. In so doing, pay attention to the hinge bush Fig. 4 (3).

CAUTION

Risk of injury if the door tips!

- ▶ Take good hold of the door.
- ▶ Set down the door carefully.

- ▶ Open the door, tip it at the bottom for removal and detach it.
- ▶ Unscrew the turn hinge Fig. 4 (4).
- ▶ Unscrew the bearing part Fig. 4 (5), transfer it to the opposite hole in the turn hinge and screw it down again.
- ▶ Carefully lift out the plugs Fig. 4 (6) and insert them into the opposite side.
- ▶ Unscrew the screw Fig. 4 (20) and insert it into the opposite side.
- ▶ Screw the bearing bracket Fig. 4 (4) onto the new hinge side **tightly (4 Nm)** or retighten with the aid of a cordless screwdriver if necessary.

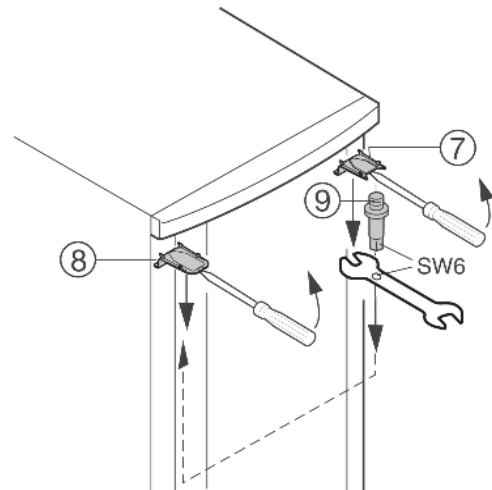


Fig. 5

- ▶ Disengage the top cover Fig. 5 (7) and cover Fig. 5 (8) in a forward direction using a screwdriver and remove them downwards at an angle.
- ▶ Unscrew the bearing pin Fig. 5 (9) and screw it into the opposite side **tightly (4 Nm)**. To do this, use the Allen screw on the spanner wrench provided.
- ▶ To re-fit the cover Fig. 5 (7) to the side where the bearing pin is located: insert it at the back and engage it at the front.
- ▶ To re-fit the cover Fig. 5 (8) at the opposite side: insert it at the back and engage it at the front.

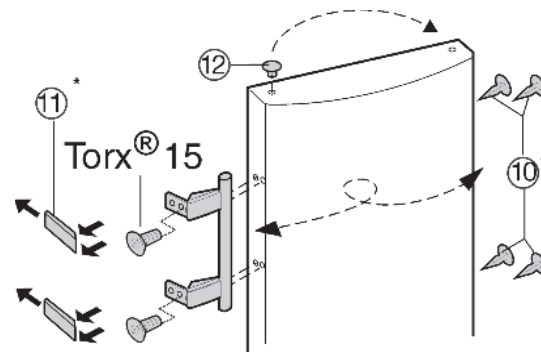


Fig. 6

- ▶ Lift the stopper Fig. 6 (12) out of the door bearing bush and transfer it.
- ▶ Detach door handle, stoppers Fig. 6 (10) and pressure plates Fig. 6 (11) and transfer to the opposite side.
- ▶ When fitting the pressure plates, pay attention that they engage properly.
- ▶ Attach the door to the bearing pin Fig. 5 (9) and close the door.
- ▶ Slightly tip the appliance backwards again and reinsert the bearing pin Fig. 4 (2) together with the hinge bush Fig. 4 (3). The notch on the bearing pin must face forward.
- ▶ Place the cover Fig. 4 (13) on the opposite side.*

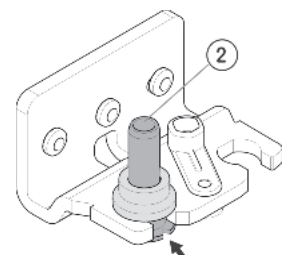


Fig. 7

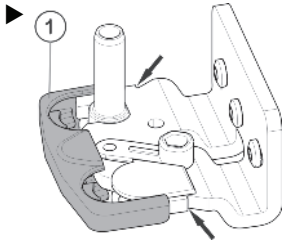
Control



CAUTION

Risk of injury if the door tips!

- ▶ The safety lock (1) has to engage with the turn hinge at the side so that the bearing pin and therefore the door are secured.



- ▶ Snap the safety lock (1) onto the turn hinge again.
- ▶ If necessary, align the door to the appliance housing by way of the two oblong holes in the turn hinge Fig. 4 (4). To do so, unscrew the middle screw.



WARNING

Risk of injury due to the door dropping out!

If the bearing parts are not screwed into place firmly enough, the door may drop out. This may lead to severe injuries. What is more, the door may not close and therefore the appliance may fail to cool properly.

- ▶ Screw on the bearing brackets/bearing pins tightly (4 Nm).
- ▶ Check all of the screws and retighten if necessary.

4.4 Insertion into a row of kitchen units

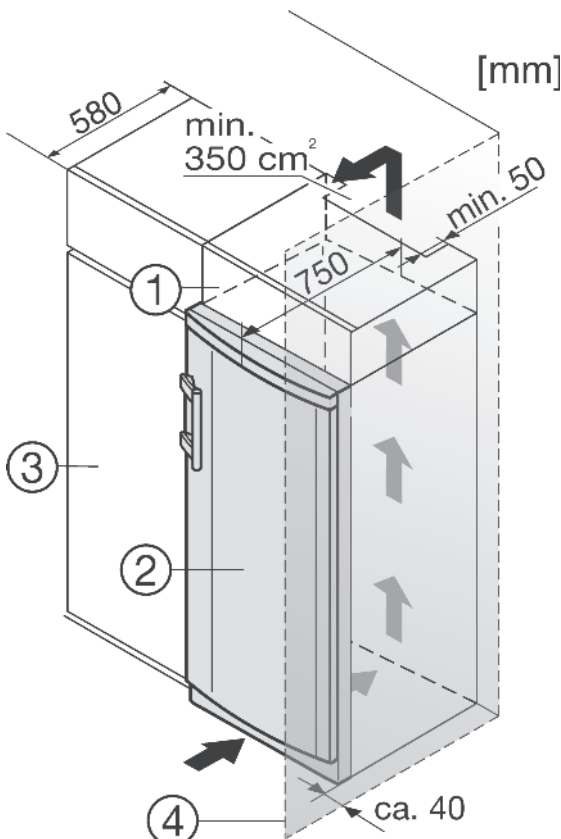


Fig. 8

- (1) Stack cabinet
- (2) Appliance
- (3) Kitchen cabinet
- (4) Wall

The appliance can be inserted into a row of kitchen units. To match the appliance Fig. 8 (2) to the height of the row of units, a suitable stack cabinet Fig. 8 (1) can be fitted above the appliance.

If the appliance is inserted into a row of kitchen units (max. depth. 580 mm), the appliance can be placed immediately next to the kitchen cabinet. The appliance projects 150 mm at the sides and 170 mm in the middle of the appliance, in relation to the front of the kitchen cabinet.

- The ventilation space under the ceiling has to be at least 350 cm².
- The larger the ventilation space, the more energy-saving the appliance is in operation.

If the appliance is installed with the hinges next to a wall Fig. 8 (4), the distance between appliance and wall has to be at least 40 mm. This corresponds to the projection of the handle when the door is open.

4.5 Disposing of packaging



WARNING

Danger of suffocation due to packing material and plastic film!
▶ Do not allow children to play with packing material.

The packaging is made of recyclable materials:

- corrugated board/cardboard
 - expanded polystyrene parts
 - polythene bags and sheets
 - polypropylene straps
 - nailed wooden frame with polyethylene panel*
- ▶ Take the packaging material to an official collecting point.



4.6 Connecting the appliance

NOTICE

Risk of damage to the electronic control system!

- ▶ Do not use stand-alone inverters (conversion of d.c. to a.c./three-phase) or energy saving plugs.



WARNING

Fire and overheating hazard!

- ▶ Do not use extension cables or multiple socket outlets.

The type of current (alternating current) and voltage at the installation site have to conform with the data on the type plate (see Appliance at a glance).

Connect the appliance only with a properly installed socket outlet with earthing contact. The socket outlet must be fused with 10 A or higher.

It must be easily accessible so that the appliance can be quickly disconnected from the supply in an emergency.

- ▶ Check the electrical connection.
- ▶ Plug in the power plug.



4.7 Switching on the appliance

- ▶ Press On/Off button Fig. 3 (1).
- ▷ The appliance is switched on. The temperature display and the alarm button flash until the temperature is sufficiently cold.

5 Control

5.1 Door alarm

If the door is open longer than 60 s, the audible alarm sounds. The audible alarm is automatically silenced when the door is closed.

5.1.1 Muting the door alarm

The audible alarm can be muted when the door is open. The sound switch-off function is active as long as the door is left open.

- ▶ Press alarm button *Fig. 3 (5)*.
- ▷ The door alarm is silenced.

5.2 Temperature alarm

The audible alarm sounds if the freezer temperature is not cold enough.

The alarm button flashes at the same time.

The cause of the temperature being too high may be:

- warm fresh food was placed inside
- too much warm ambient air flowed in when rearranging and removing food
- power failure for some time
- the appliance is faulty

The audible alarm is automatically silenced, the alarm button *Fig. 3 (5)* goes out and the temperature display stops flashing when the temperature is sufficiently cold again.

If the alarm status persists: (see Malfunction).

Note

Food may be spoilt if the temperature is not cold enough.

- ▶ Check the quality of the food. Do not consume spoiled food.

5.2.1 Muting the temperature alarm

The audible alarm can be muted. When the temperature is sufficiently cold again, the alarm function is active again.

- ▶ Press alarm button *Fig. 3 (5)*.
- ▷ The audible alarm is silenced.

5.3 Freezing food

The rating plate indicates the maximum quantity of fresh food you can freeze within 24 hours (see Appliance at a glance) under "Freezing capacity ... kg/24h".

The maximum load for the top drawer is 15 kg and for the other drawers 25 kg each.

The shelves can each be loaded with 55 kg of frozen food.

If the door cannot be opened right after having been closed, due to vacuum, please wait about 2 minutes until pressure returns to normal.



CAUTION

Risk of injury due to broken glass!

Bottles and cans containing drinks may burst when being frozen. This applies particularly to sparkling drinks.

- ▶ Do not freeze bottles and cans containing drinks!

In order that the food is rapidly frozen through to the core, do not exceed the following quantities per pack:

- Fruit, vegetables up to 1 kg
- Meat up to 2.5 kg
- ▶ Pack the food in portions in freezer bags, reusable plastic, metal or aluminium containers.

5.4 Thawing food

- at room temperature
- in a microwave oven
- in a conventional or fan oven
- ▶ Food once thawed should be re-frozen only in exceptional cases.

5.5 Setting the temperature

Temperature setting to be recommended: -18 °C

The temperature can be changed continuously. Once the -32 °C setting is reached, it starts again with -15 °C.

- ▶ To access temperature adjustment: press setting button *Fig. 3 (2)* once.
- ▷ The LED of the current temperature flashes in the temperature display.
- ▶ Press the setting button *Fig. 3 (2)* the number of times needed until the required temperature shines in the LED display.

Note

- ▶ Long pressing of the setting button sets a slightly colder value within a small temperature range (e.g.: between -15 °C and -18 °C). The LED of the next lower temperature range then shines in the temperature display.

5.6 SuperFrost

With this function you can freeze fresh food quickly through to the core. The appliance operates with maximum refrigeration. The noise of the refrigeration unit may be temporarily louder as a result.

The maximum amount of fresh food which can be frozen in 24 h is indicated on the type plate under "freezing capacity ... kg/24h". This amount varies according to the model and climate rating.

You do not have to activate SuperFrost in the following cases:

- when placing frozen food in the freezer
- when freezing up to about 2 kg fresh food daily

5.6.1 Freezing with SuperFrost

- ▶ Briefly press the SuperFrost button *Fig. 3 (4)*.
- ▷ The SuperFrost button shines.
- ▷ The freezer temperature drops, the appliance operates with the maximum refrigerating capacity.
 - In case of a small amount of food to be frozen:
 - ▶ wait about 6 h.
 - ▶ For maximum freezing performance, put the food in the deep, lower drawers.
 - In case of the maximum amount of food to be frozen (see type plate):
 - ▶ wait about 24 h.
 - ▶ Placed wrapped food straight on the lower shelves and, once frozen, put it into the drawers.
- ▷ SuperFrost is automatically deactivated after about 65 h.
- ▷ The SuperFrost button is dark.
- ▷ The appliance continues to operate in the energy-saving, normal mode.

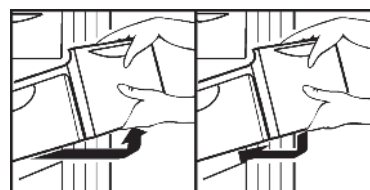
5.7 Drawers

Note

The energy consumption increases and the cooling performance decreases if there is insufficient ventilation.

For appliances with NoFrost:

- ▶ Leave the bottom drawer in the appliance!
- ▶ Always keep the air slits of the fan free at the rear wall!

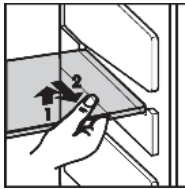


Maintenance

- ▶ To store frozen food directly on the shelves: pull the drawer forwards and lift it out.

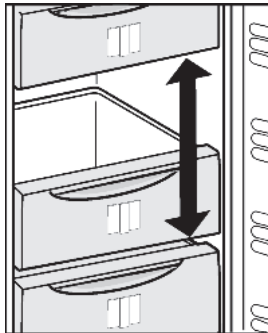
5.8 Shelves

- ▶ To remove the shelf: lift up at the front and pull out.
- ▶ To put the shelf back: simply push in as far as it will go.



5.9 VarioSpace

Apart from being able to remove the drawers, you can also remove the shelves, creating space for large items of frozen food. Poultry, meat, large pieces of game and high bakery products can be frozen in one piece and prepared.



- ▶ The maximum load for the top drawer is 15 kg and for the other drawers 25 kg each.
- ▶ The shelves can each be loaded with 55 kg of frozen food.

5.10 Information system

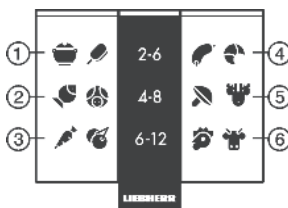


Fig. 9

- | | |
|---------------------------------|------------------------|
| (1) Ready-made meals, ice cream | (4) Sausages, bread |
| (2) Pork, fish | (5) Game, mushrooms |
| (3) Fruit, vegetables | (6) Poultry, beef/veal |

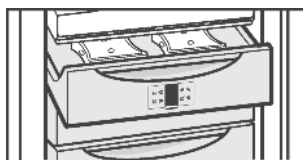
The figures indicate the storage time in months for several types of frozen food in each case. Storage times given are guide times.

5.11 Cold storage accumulators

The cold storage accumulators prevent the temperature from rising too fast in the event of power failure.

5.11.1 Using cold storage accumulators

- ▶ Place the cold storage accumulators in the top freezer compartment to save space.
- ▶ Place the frozen cold storage accumulators on the frozen food in the upper front area of the freezer compartment.



6 Maintenance

6.1 Defrosting with NoFrost

The NoFrost system automatically defrosts the appliance.

The moisture condenses on the evaporator, is periodically defrosted and evaporates.

- ▶ The appliance does not have to be manually defrosted.

6.2 Cleaning the appliance

Before cleaning:



CAUTION

Risk of injury and damage as a result of hot steam! Hot steam may damage the surfaces and cause burns.

- ▶ Do not use any steam cleaners!

NOTICE

Incorrect cleaning damages the appliance!

- ▶ Do not use cleaning agents in concentrated form.
- ▶ Do not use any scouring or abrasive sponges or steel wool.
- ▶ Do not use any cleaning agents containing sand, chloride, chemicals or acid.
- ▶ Do not use chemical solvents.
- ▶ Do not damage or remove the type plate on the inside of the appliance. It is important for the customer service.
- ▶ Do not pull off, bend or damage cables or other components.
- ▶ Do not allow any cleaning water to enter the drain channel, ventilation grille or electrical parts.

- ▶ Empty the appliance.
- ▶ Pull out the plug.

- Use soft cleaning cloths and a multi-purpose cleaning agent with neutral pH value.
- Only use food compatible cleaning and care agents on the inside of the appliance.

- ▶ Regularly clean ventilation grilles.
- ▷ Dust deposits increase energy consumption.

Outside surfaces and interior:

- ▶ Clean the plastic surfaces, outside and inside, by hand using lukewarm water and a little washing-up liquid.

Items of equipment:

- ▶ Clean items of equipment by hand with lukewarm water and a little washing-up liquid.

After cleaning:

- ▶ Wipe dry the appliance and items of equipment.
- ▶ Connect the appliance and switch it on again.
- ▶ Switch on SuperFrost (see 5.6) .
- When the temperature is sufficiently cold:
- ▶ Put the food back inside.

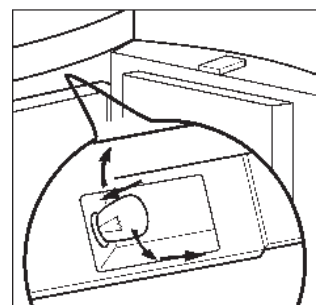
6.3 Changing the interior light

Bulb data

max. 15 W
Fitting: E14

The type of current and voltage must conform with the details on the type plate.

- ▶ Switch off the appliance.
- ▶ Pull out the power plug or switch off the fuse.
- ▶ Change the bulb under the operating panel as illustrated.



6.4 Customer service

First check whether you can correct the fault yourself by reference to the list (see Malfuction). If this is not the case, please contact the customer service whose address is given in the enclosed customer service list.



WARNING

Risk of injury if repair work is not carried out professionally!

- ▶ Have any repairs and action - not expressly specified - on the appliance and mains cable carried out by service personnel only. (see Maintenance)

- ▶ Read the appliance designation
Fig. 10 (1), service No. Fig. 10 (2) and serial No. Fig. 10 (3) off the type plate located inside the appliance on the left-hand side.

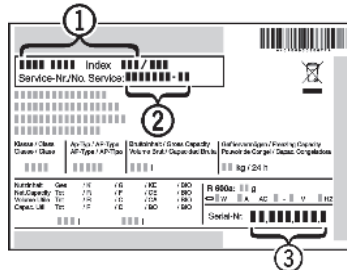


Fig. 10

- ▶ Notify the customer service, specifying the fault, appliance designation Fig. 10 (1), service No. Fig. 10 (2) and serial No. Fig. 10 (3).
- ▷ This will help us to provide you with a faster and more accurate service.
- ▶ Keep the appliance closed until the customer service arrives.
- ▷ The food will stay cool longer.
- ▶ Pull out the mains plug (not by pulling the connecting cable) or switch off the fuse.

7 Malfuction

Your appliance is designed and manufactured for a long life span and reliable operation. If a malfuction nonetheless occurs during operation, check whether it is due to a handling error. In this case you will have to be charged for the costs incurred, even during the warranty period. You may be able to rectify the following faults yourself:

Appliance does not work.

- The appliance is not switched on.
- ▶ Switch on the appliance.
- The power plug is not properly inserted in the wall socket.
- ▶ Check power plug.
- The fuse of the wall socket is not in order.
- ▶ Check fuse.

The compressor runs for a long time.

- The compressor switches to a low speed when little cold is needed. Although the running time is increased as a result, energy is saved.
- ▶ This is normal in energy-saving models.
- SuperFrost is activated.
- ▶ The compressor runs for longer in order to rapidly cool the food. This is normal.

The inverter regularly flashes every 15 seconds*.

- The inverter is equipped with a diagnostic LED.
- ▶ The flashing is normal.

Excessive noise.

- Speed-controlled* compressors may produce varying running noise due to different speed steps.
- ▶ The sound is normal.

A bubbling and gurgling noise.

- This noise comes from the refrigerant flowing in the refrigeration circuit.
- ▶ The sound is normal.

A quiet clicking noise.

- The noise is produced whenever the refrigeration unit (motor) automatically switches on or off.
- ▶ The sound is normal.

A hum. It is briefly a little louder when the refrigeration unit (the motor) switches on.

- The refrigeration increases automatically when the SuperFrost, function is activated, fresh food has just been placed in the appliance or the door has been left open for a while.
- ▶ The sound is normal.
- The ambient temperature is too high.
- ▶ Solution: (see 1.2)

Vibratory noise.

- The appliance is not standing firmly on the floor. As a result, adjoining units or objects are set into vibration by the running refrigeration unit.
- ▶ Move the appliance away a little and align it using the adjustable feet.

The SuperFrost button flashes together with the temperature display.

- There is a fault.
- ▶ Contact the customer service. (see Maintenance).

The temperature is not cold enough.

- The door of the appliance is not properly closed.
- ▶ Close the door of the appliance.
- Insufficient ventilation.
- ▶ Clear ventilation grilles.
- The ambient temperature is too high.
- ▶ Solution: (see 1.2).
- The appliance was opened too frequently or for too long.
- ▶ Wait until the appliance reaches the required temperature itself. If not, contact the customer service. (see Maintenance).
- Too much fresh food was placed inside without SuperFrost.
- ▶ Solution: (see 5.6)
- The appliance is too close to a heat source.
- ▶ Solution: (see Putting into operation).

The interior light is not on.

- The appliance is not switched on.
- ▶ Switch on the appliance.
- The door was open longer than 15 min.
- ▶ The interior light automatically switches off if the door has been open for about 15 min.
- If the interior light is not on but the temperature display is lit, the bulb is faulty.
- ▶ Change the bulb. (see Maintenance).

8 Decommissioning

8.1 Switching off the appliance

- ▶ Press On/Off button Fig. 3 (1) for about 2 seconds.
- ▷ The temperature display is dark.

8.2 Taking the appliance out of service

- ▶ Empty the appliance.
- ▶ Pull out the power plug.
- ▶ Clean the appliance (see 6.2).



- ▶ Leave the door open to prevent odour.

9 Disposing of the appliance

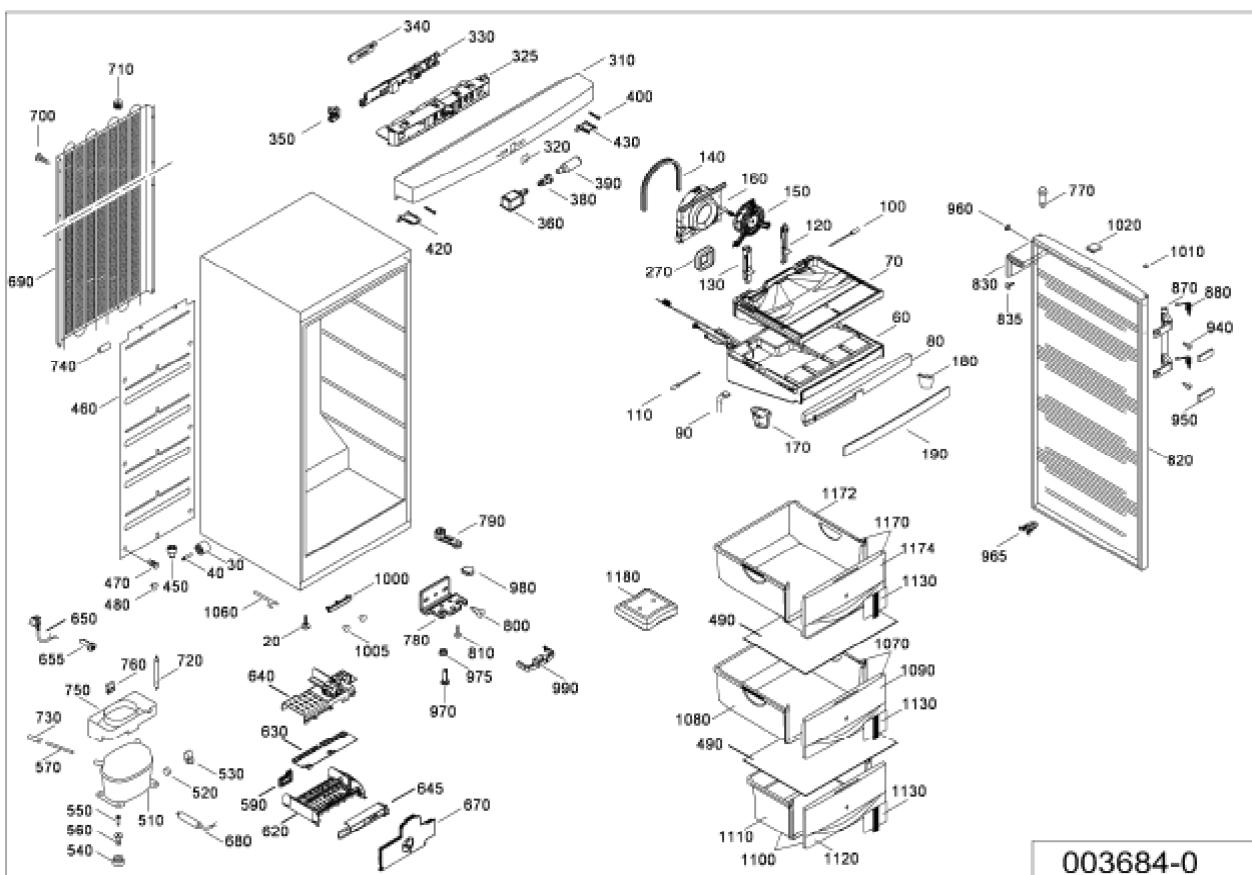
The appliance contains some reusable materials and should be disposed of properly - not simply with unsorted household refuse. Appliances which are no longer needed must be disposed of in a professional and appropriate way, in accordance with the current local regulations and laws.



When disposing of the appliance, ensure that the refrigeration circuit is not damaged to prevent uncontrolled escape of the refrigerant it contains (data on type plate) and oil.

- ▶ Disable the appliance.
- ▶ Pull out the plug.
- ▶ Cut through the connecting cable.

Design/001/GN/GN 3613-20/spare parts list



Item	Reference no.	Quantity	Description
20	4098280	2	ADJUSTING SCREW
30	7422832	2	ROLLERS
40	7113142	2	BOLT
60	9884032	1	FIN-TYPE EVAPORATOR
70	8003422	1	MOULDING
80	8003456	1	MOULDING
90	6152020	1	TEMPERATURE LIMITER
100	6942460	1	SENSOR FOR FREEZER COMPARTMENT CONDENSER
110	6942456	1	AIR SENSOR FOR FREEZER COMPARTMENT
120	7266170	1	SPECIAL SECURING HARDWARE
130	7266172	3	SPECIAL SECURING HARDWARE
140	7266174	1	SPECIAL SECURING HARDWARE
150	6108116	1	COMPACT FAN
160	7433162	1	VARIOUS HOUSINGS
170	7428346	1	FASTENING
180	7428348	1	FASTENING
190	7436442	1	TRIM FOR DRAWER, ASSY.
270	7748100	1	EXPANDED-FOAM SEAL
310	7431546	1	OPERATING PANEL HOUSING
320	7734520	1	DISPLAY TRIM
325	7436692	1	VARIOUS RETAINING FIXTURES
330	6143044	1	INTEGRAL BOARD
340	6143456	1	REED BOARD
350	7436698	1	SENSOR RETAINING FIXTURE
360	7433012	1	HOUSING FOR LAMP, ASSY.
380	6072050	1	LAMPHOLDER

390	6070001	1	INCANDESCENT BULB
400	4098005	2	SCREW IN ACC. WITH DRAWING
420	7432506	1	COVER
430	7432508	1	COVER
450	7266052	1	VARIOUS INJECTION-MOULDED ITEMS
460	9490030	1	AIR DUCT COVER
470	7422032	6	EVAPORATOR FIXTURE
480	7424262	2	EVAPORATOR FIXTURE
490	7276012	5	TOUGHENED SAFETY-GLASS PLATE
510	6119487	1	COMPRESSOR R 600 a
520	6944695	0	ELECTRICAL CONNECTION
540	7266120	4	SPECIAL SECURING HARDWARE
550	7422236	2	VARIOUS RETAINING FIXTURES
560	7422234	2	VARIOUS RETAINING FIXTURES
570	7700001	1	PIPE
590	7266176	1	SLEEVE
620	7432406	1	VARIOUS RETAINING FIXTURES
630	6143658	1	INTEGRAL BOARD
640	7432576	1	VARIOUS RETAINING FIXTURES
645	7432578	1	VARIOUS RETAINING FIXTURES
650	6009030	1	SUPPLY LINE
655	4098029	1	PT SCREW
670	7436428	1	VARIOUS RETAINING FIXTURES
680	6342058	1	CAPACITOR
690	5941570	1	CONDENSER FIN
700	4098086	6	DRILLING SELF-TAPPING SCREW
710	7266036	2	SLEEVE
720	5942022	1	DRYER
730	7266134	1	SLEEVE
740	7266081	1	SLEEVE
750	7424777	1	EVAPORATOR TRAYS
770	7113058	1	BOLT
780	7043150	1	STEEL BEARING BLOCK
790	7042752	1	ZINC DIE-CAST BEARING BLOCK
800	4084013	2	OVAL-HEAD SCREW
810	4098270	1	OVAL-HEAD SCREW
820	9013000	1	DOOR, CAVITY-FOAMED
830	7109008	1	GASKET
835	9086532	1	ACCESSORY PACK
870	7432602	1	MOULDED HANDLE
880	7203056	2	SPRING
940	4098184	2	SCREW IN ACC. WITH DRAWING
950	7426362	2	VARIOUS INJECTION-MOULDED ITEMS
960	7422810	2	PLUG
965	7432358	1	SPRING CLIP
970	7113048	1	BOLT
975	7430502	1	SPACERS
980	7433526	1	COVER
990	7432230	1	COVER
1005	7402623	2	PLUG
1010	7432616	1	PLUG
1020	7436494	1	SWITCHING COMPONENTS
1060	7043124	1	KEY
1070	9791438	5	DRAWER, NON-PRINTED
1080	9791440	5	DRAWER BODY
1090	9791428	5	DRAWER TRIM, NON-PRINTED
1100	9791436	1	DRAWER, NON-PRINTED
1110			

	9791434	1	DRAWER BODY
1120	9791428	1	DRAWER TRIM, NON-PRINTED
1130	7432400	7	DRAWER TRIM, PRINTED
1170	9791454	1	DRAWER, NON-PRINTED
1172	9791452	1	DRAWER BODY
1174	9791428	1	DRAWER TRIM, NON-PRINTED
1180	7422838	2	COLD-STORAGE ACCUMULATOR
9899	-----	0	
9900	7084524	1	OPERATING INSTRUCTIONS
9910	7082776	1	INSERT
9920	9880138	0	PACKAGING SPARE PARTS/ASS
9930	8041402	1	CORRUGATED CARDBOARD RING
9940	9363372	0	INSULATING PLATE, ASSY.