

K60(ST)
K90(ST)
K100(ST)



Quality at sea

Manual / Handbuch

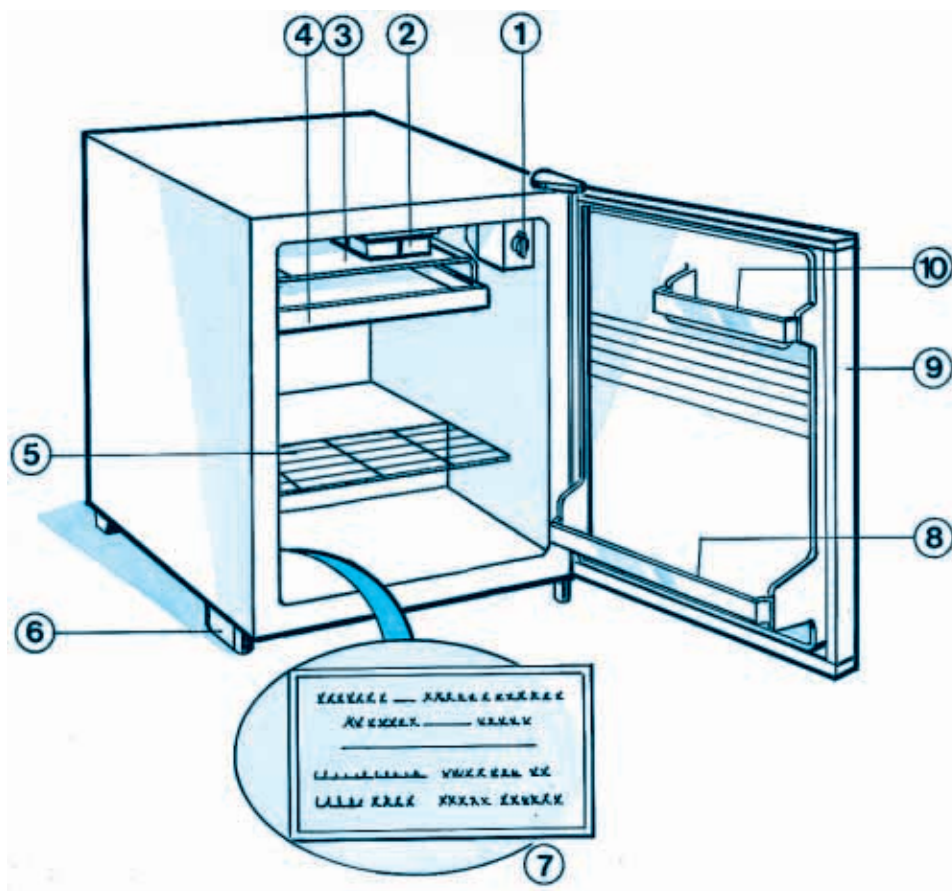
Spare parts list / Ersatzteilliste



WESCO Navy • Equipment Imp.-Exp. GmbH • Zitterpappelweg 9
D - 22391 Hamburg • Tel.: + 49 40 60009468-0 • Fax: + 49 40 536 75 01
E-Mail: info@wesco-navy.com • www.wesco-navy.com

**TABLE OF CONTENTS****GB****DESCRIPTION OF THE APPLIANCE** Page 8**BEFORE USING THE REFRIGERATOR** Page 8**PRECAUTIONS AND GENERAL SUGGESTIONS** Page 9**HOW TO OPERATE YOUR REFRIGERATOR** Page 9**HOW TO DEFROST AND CLEAN THE REFRIGERATOR** Page 10**TROUBLE SHOOTING GUIDE** Page 11**AFTER-SALES SERVICE** Page 11**INSTALLATION** Page 12**DOOR REVERSIBILITY** Page 12**To get full satisfaction of your refrigerator, please read carefully your instruction manual.**

DESCRIPTION OF THE APPLIANCE



- | | |
|--------------------------------|---------------------------------|
| 1. Thermostat control knob | 6. Feet |
| 2. Ice cube tray (if provided) | 7. Rating plate - Service plate |
| 3. Ice compartment | 8. Bottle rack |
| 4. Defrost tray | 9. Inner door |
| 5. Shelf | 10. Small bottle rack |

BEFORE USING THE REFRIGERATOR

- After unpacking, please ensure that the appliance is undamaged and that the door closes tightly. Any damage must be reported to your dealer within 24 hours of receipt of the appliance.
- The package is recyclable and is marked with the recycling symbol ♻️.
- The appliance is built with re-usable material. When scrapping, follow the local environmental protecting regulations.
- Render the refrigerator inoperative. Cut the power-cable off. Take the refrigerator to the local disposal centres so that refrigerating agent properly treated will not pollute air.
- Please ensure that the installation and the electrical connection has been carried out following the manufacturer's instructions and in compliance with local safety regulations.



PRECAUTIONS AND GENERAL SUGGESTIONS

- Only use the refrigerator for the storage of foods.
- After installation, please make sure that the refrigerator does not stand on the supply cable.
- Do not store glass containers with carbonated drinks in the ice compartment as they may explode.
- Do not eat ice cubes or ice lollies immediately after their removal from the ice compartment, as they may cause "cold" burns.
- Before any cleaning or maintenance operation, disconnect the refrigerator by switching off the electricity at the mains or by pulling the plug.

Conformity declaration

- This appliance incorporates parts intended to come into contact with foodstuffs in compliance with EEC directive 89/109.
- This appliance conforms to EEC directive 87/308 on radio-interference.

Information

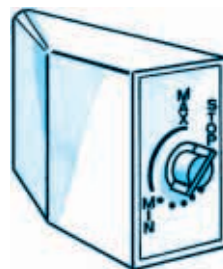
This appliance is free of HCFC's (refrigerant circuit contains R 134 a) or free of HFC's (refrigerant circuit contains R 600 a - Isobutane). For more details, please refer to the rating plate on the appliance.

For appliance with Isobutane (R 600 a)

The refrigerant Isobutane is a natural gas of high environmental compatibility but which is inflammable. Therefore, it is essential to ensure that the ducts of the refrigerant circuit do not get damaged.

HOW TO OPERATE YOUR REFRIGERATOR

1. Turn the thermostat control knob clockwise to the desired position (higher numbers to get colder temperature).



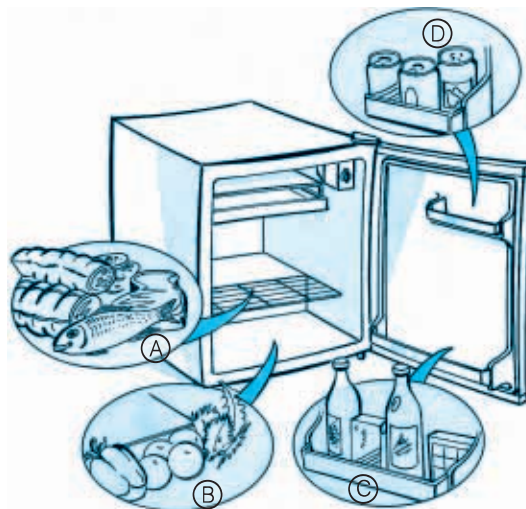
How to store food

1. First wrap food in aluminium foils or cling film, in order to maintain all their characteristics (vitamins, freshness).
2. Load the refrigerator as shown in opposite figure:
 - A. Meat, sausages, fish, cooked food
 - B. Fruit and vegetables
 - C. Cheese, dairy products, beverages
 - D. Small bottles, cans.

Note: Never store food in an open can.

Production of ice cubes

Fill 3/4 the ice cube tray with water and place it on the ice compartment.





HOW TO DEFROST AND CLEAN THE REFRIGERATOR

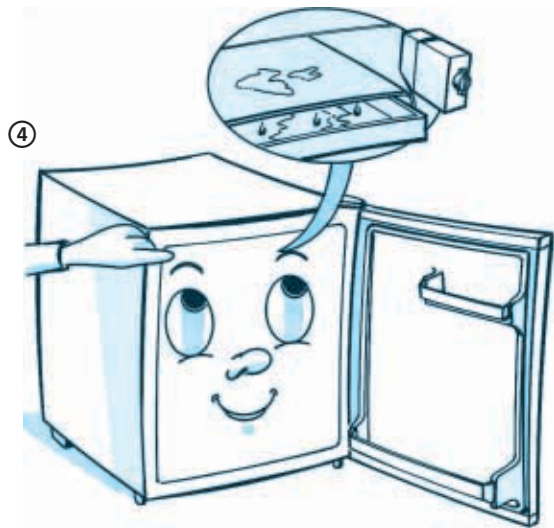
We suggest you defrost your refrigerator once ice build up reaches about 3 mm in thickness.

1. Check that the defrost tray is still under the ice compartment.
2. Turn the thermostat control knob to position defrost.
3. When the ice has melted completely, empty the water from the defrost tray.
4. Turn back the thermostat control knob to the desired setting.

Quick defrosting

This function is used to defrost your refrigerator more quickly.

1. Empty the refrigerator from food.
 2. **Disconnect the appliance from the mains.**
 3. Place a bowl of warm water (max. 50°C) under the ice compartment and leave the refrigerator door open (this will speed up the defrost process).
 - ④ When the ice has melted completely, empty the water from the defrost tray.
 5. Clean the inside with a sponge dampened in a solution of warm water and neutral detergent. Rinse and dry with a soft cloth.
Do not use abrasives.
 6. Connect the appliance to the mains and put back all items into the refrigerator.
- Wipe the outside with a soft cloth dampened in water.
 - Periodically clean the condenser (radiator) situated at the rear of the refrigerator with a vacuum cleaner or a brush.



For prolonged absences

1. Empty all items from the appliance.
2. Disconnect it from the mains.
3. Defrost and clean the inside.
4. Leave the door open to prevent any bad odour.





TROUBLE SHOOTING GUIDE

1. The temperature in the compartment is not cold enough

- Is the door properly closed ?
- Is the refrigerator too close to a heat source ?
- Is the condenser clean ?
- Is the air flow over and around the appliance restricted ?
- Is the layer of frost in the ice compartment too thick ?

2. The temperature in the refrigerator is too cold.

- Are the thermostat and the defrost tray in the correct position ?

3. The refrigerator is excessively noisy.

- Is the refrigerator in contact with other furniture or appliances ?
- Are the parts in the back in contact with each other ?

Attention: Under normal conditions, the cooling system of the refrigerator may cause some noise.

4. The appliance does not work at all

- Is there a power failure ?
- Is the refrigerator well plugged ?
- Is the fuse blown ?
- Is the supply cord broken ?

For Great Britain only

Check that the plug fuse is well fitted. A 13 A fuse must be used.

Check removable plugs for loose connections and tighten them if necessary. Loose connections can overheat the plug.

5. Water inside the refrigerator

- Is the thermostat control knob properly set ?
- Is the defrost tray empty ?

AFTER-SALES SERVICE

Before calling for Service:

1. Check the Trouble-Shooting Guide carefully to see if you can correct the fault yourself.
2. Re-operate the appliance to check if the fault has cleared itself.

If both attempts fail, please call for Service. Describe the fault and give the model N° and Service N° of your appliance, your address and phone N°.



INSTALLATION

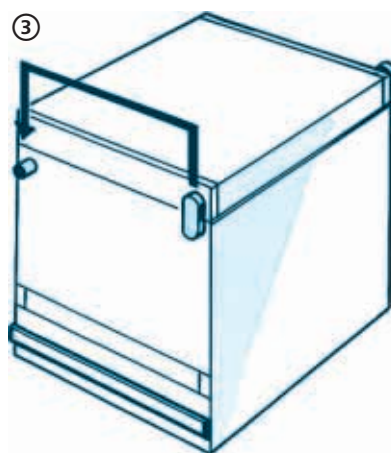
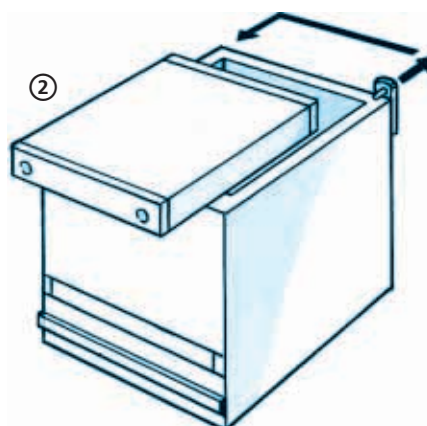
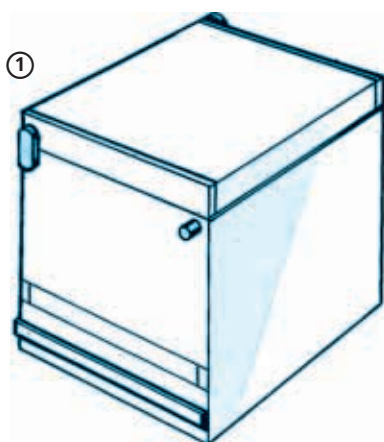
- Do not install the refrigerator close to any heat source.
- Place it in a dry and well ventilated space.
- Make sure that the appliance is well levelled.
- Never cover the plinth. You must leave at least a 50 mm gap, if the appliance is installed under a kitchen furniture.
- Let the appliance stand for 1 hour prior to connecting it to the electricity supply.

Electrical connection

- Check that the voltage on the rating plate corresponds to the voltage in your home.
- **The earthing of the refrigerator is compulsory by law.**
The Manufacturer will accept no liability for damage to persons or to objects arising from the non-observance of this requirement.
- If the plug and the wall socket do not comply, have the socket replaced by a qualified technician.
- Do not use adapters, multipole sockets or extension cords.

Door reversibility

- ① Tilt the appliance backwards and remove the lower right hinge.
- ② Remove the door from the pin of the top hinge.
- ③ Remove the screw cover, the screws and the top right hinge.
4. Remove the 3 clips covering the holes of the left screws.
5. Fix the hinge to the top left hand side, using the same screws to tighten it.
6. Reposition the clips and the screws cover in the new relevant holes.
7. Fit the door in the pin of the top hinge.
8. Mount the lower hinge on the left hand side and the foot on the right hand side using the same screws in the holes already provided on the appliance.



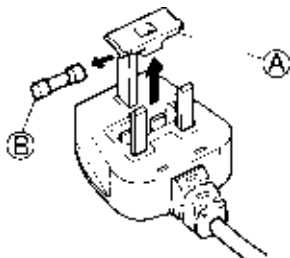


FOR GREAT BRITAIN ONLY - ELECTRICAL INFORMATION

“Warning - this appliance must be earthed”

Fuse replacement.

If the mains lead of this appliance is fitted with a BS 1363A 13 amp fused plug, to change a fuse in this type of plug use an A.S.T.A. approved fuse to BS 1362 type and proceed as follows:



1. Remove the fuse cover (A) and fuse (B).
2. Fit replacement 13A fuse into fuse cover.
3. Refit both into plug.

Important: The fuse cover must be refitted when changing a fuse and if the fuse cover is lost the plug must not be used until a correct replacement is fitted.

Correct replacement are identified by the colour insert or the colour embossed in words on the base of the plug.

Replacement fuse covers are available from your local electrical store.

Connection to a rewireable plug

If the fitted plug is not suitable for your socket outlet, then it should be cut off and disposed of in order to avoid a possible shock hazard should it be inserted into a 13A socket elsewhere.

A suitable alternative plug should then be fitted to the cable.

The wires in this mains lead are coloured in accordance with the following code;

BLUE - “NEUTRAL” (“N”)

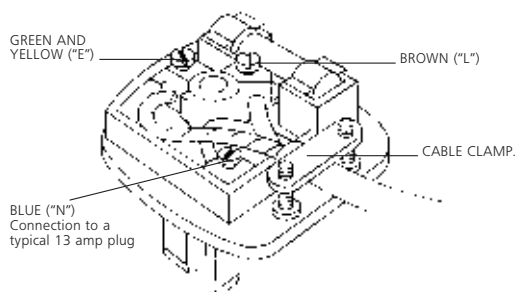
BROWN - “LIVE” (“L”)

GREEN AND YELLOW - “EARTH” (“E”)

1. The GREEN AND YELLOW wire must be connected to the terminal in the plug which is marked with the letter “E” or by the Earth symbol 4 or coloured green or green and yellow.

2. The BLUE wire must be connected to the terminal which is marked with the letter “N” or coloured black.

3. The BROWN wire must be connected to the terminal which is marked with the letter “L” or coloured red.



For the Republic of Ireland only

The information given in respect of Great Britain will frequently apply, but a third type of plug and socket is also used, the 2-pin, side earth type. In this case, the wire which is coloured GREEN AND YELLOW must be connected to the EARTH contact, and the other two wires to the two pins, irrespective of colour. The supply to the socket must be fitted with a 16 amp fuse.

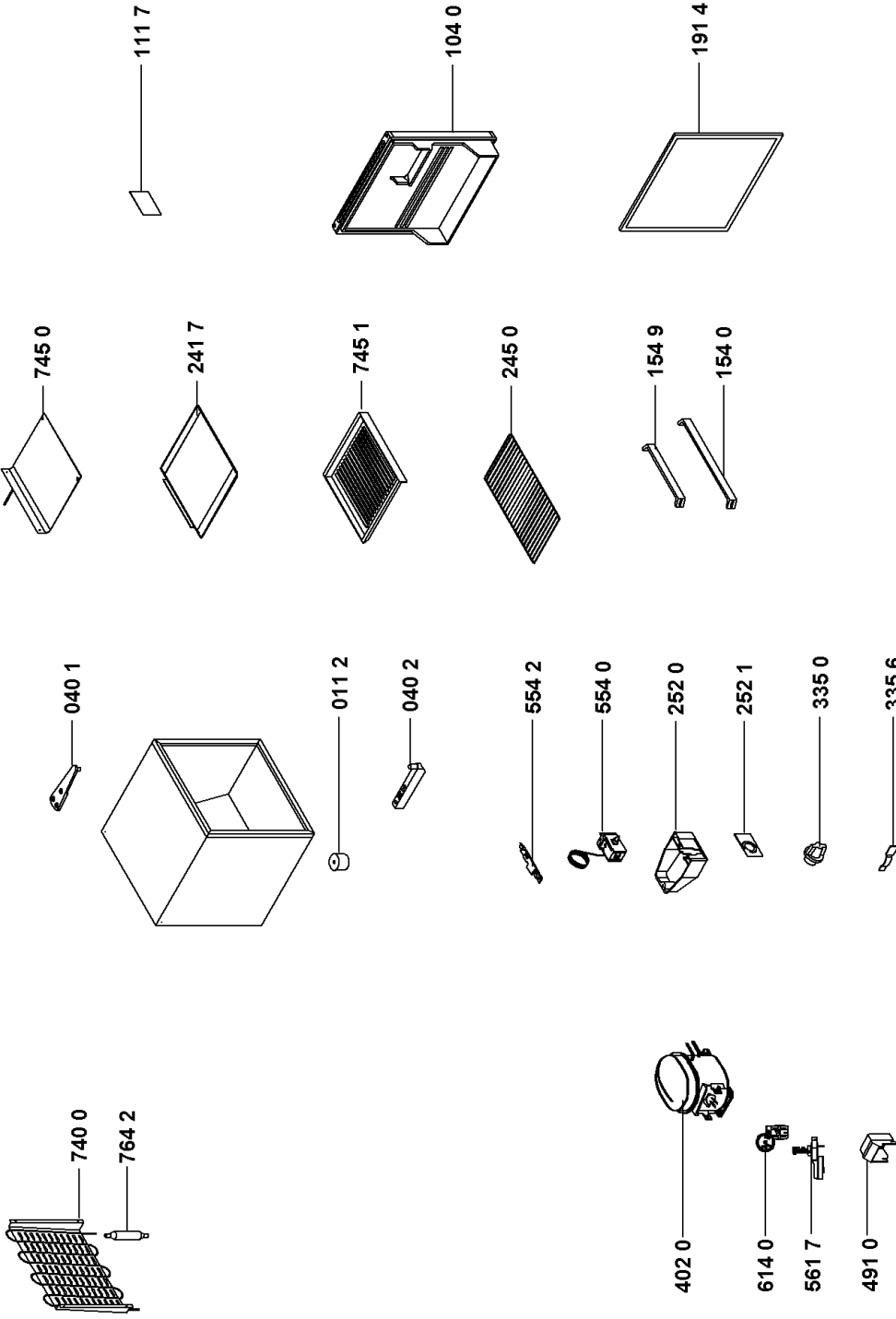
DEUTSCH	Gebrauchsanweisung	Seite	1
ENGLISH	Instructions for use	Page	7
FRANÇAIS	Notice d'emploi	Page	13
NEDERLANDS	Gebruiksaanwijzing	Bladzijde	20
SVENSKA	Bruksanvisning	Sida	26
NORSK	Bruksanvisning	Side	32
DANSK	Brugsanvisning	Side	38
SUOMI	Käyttöohje	Sivu	45
ESPAÑOL	Instrucciones para el uso	Página	51
PORTUGUÊS	Manual de uso	Pág.	57
ITALIANO	Istruzioni per l'uso	Pagina	63



Spare Part List

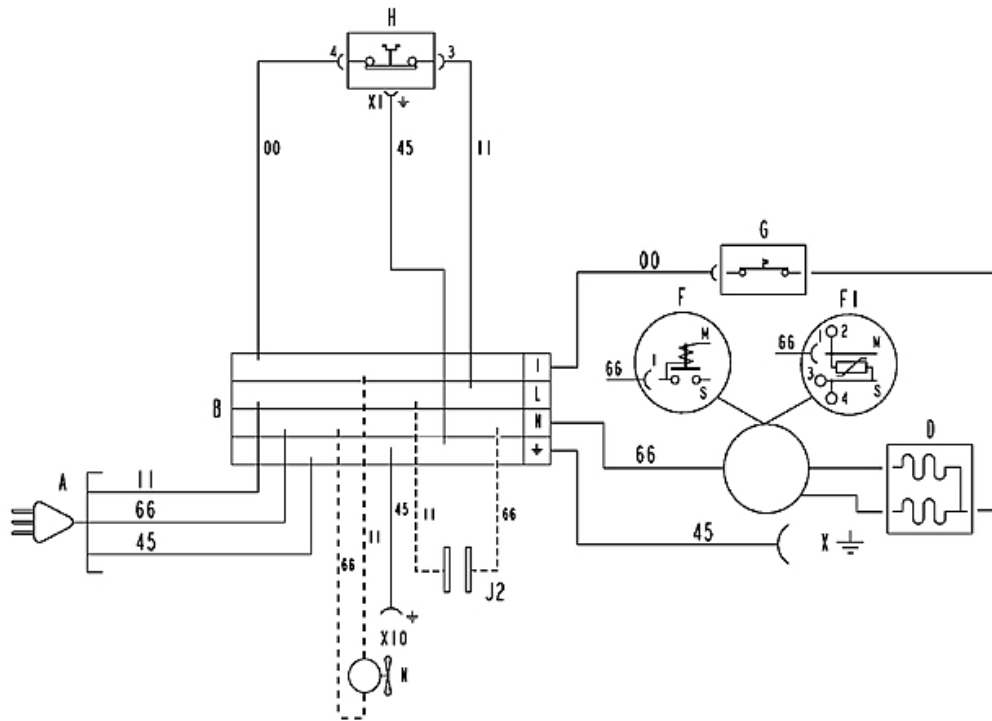
Pos	12NC	Description
011 2	4819 462 78423	Foot
040 1	4819 417 19603	Hinge upper
040 2	4819 417 19602	Hinge lower
104 0	4812 416 18188	Door refriger.
111 7	4812 459 18283	Nameplate
154 0	4819 418 78185	Holder bottles
154 9	4819 460 88458	Console
191 4	4819 468 18033	Magnetic seal
241 7	4819 458 19003	Grid
245 0	4819 458 19022	Grid
252 0	4819 418 78835	Thermostathous.
252 1	4819 459 19507	Thermostat dial
335 0	4819 411 28479	Knob thermostat
335 6	4819 492 68528	Spring
402 0	4812 817 18825	Compressor 1/10HP EMT22HLP S.P.
491 0	4812 290 88103	Cover conn.bloc
554 0	4812 271 28576	Thermostat A01-0379-16
554 2	4812 466 88906	Plate
561 7	4812 290 68325	Connectionblock
614 0	4812 280 38147	Monoblock TX1C1
740 0	4812 511 48307	Condenser
745 0	4812 511 38219	Evaporator
745 1	4819 418 48089	Tray
764 2	4819 480 28144	Dryer

Exploded View

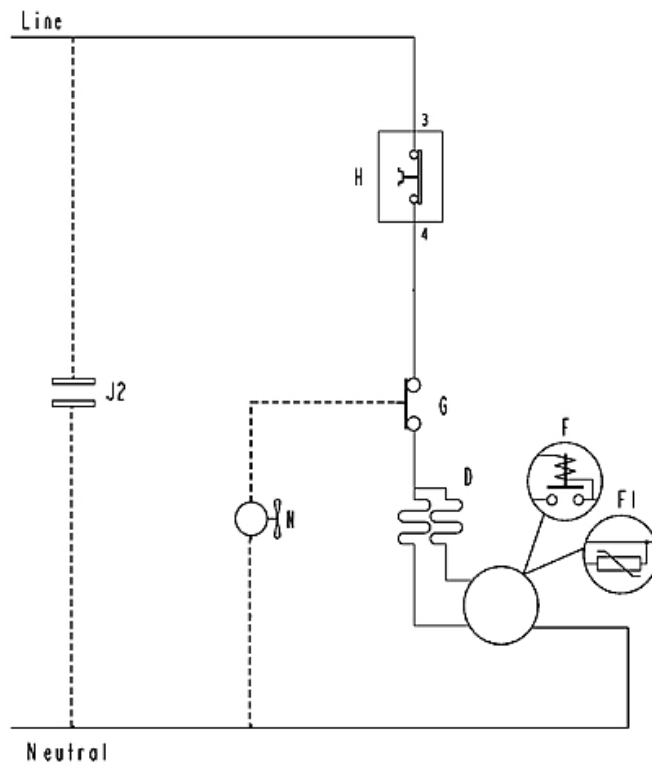


0000 001 37587

Circuit Diagram



- A PLUG
- B CONNECT BLOCK
- D COMPRESSOR
- F STARTING RELAY
- FI P.T.C.
- G OVERLOAD PROTECTOR
- H THERMOSTAT
- J2 CAPACITOR
- N FAN MOTOR
- X COMPRESSOR EARTHING
- X1 THERMOSTAT EARTHING
- X10 FAN MOTOR EARTHING
- OPTIONAL
- 00 BLACK
- 11 BROWN
- 45 YELLOW GREEN
- 66 BLUE



4619 500 87500 C

Technical Data

Factory Code

..... RE 090 X

Product dimensions

Height 55.0 cm
Width 55.0 cm
Depth 60.3 cm

Capacity

Total
Gross 90 l
net 88 l

Electrical base data

Voltage 220 V - 240 V
Frequency 50 Hz

Power Consumption

in 24 hours 0.40 kWh

Compressor

Type EMT 22 HLP
Capacity(CECOMAF) 53 W

Refrigerant

Type R 134 a
Quantity 32 g

Thermostat switching value

Switch on temperature
MIN - 1.5 °C
MAX - 10.5 °C
Switch off temperature
MIN - 7.5 °C
MAX - 16.5 °C